



Matafuegos de HCFC-123 bajo presión

Tipo: para fuegos ABC (triclase)

Recipiente de aluminio

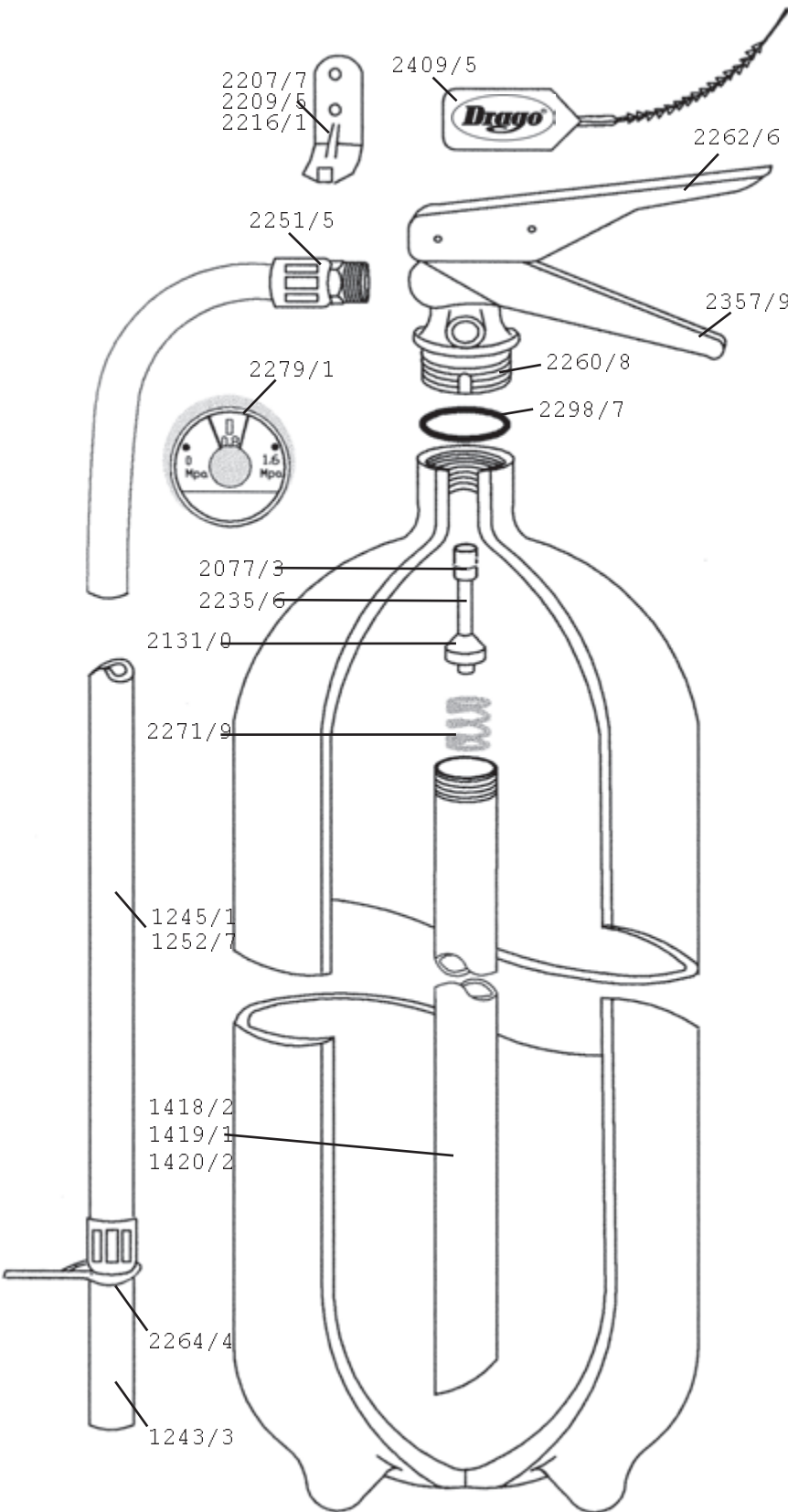
Capacidad: 2.5, 5 y 10Kg.

Pressurized HCFC-123 fire extinguishers

Type: For fires class ABC (triclass)

Aluminium recipient

Capacity of 2.5, 5 and 10Kg.



REFERENCIAS
(References)

| | | | |
|--------------------------------|-------|-----------|--------|
| Capacidad (Kg) | 2.5 | 5 | 10 |
| Capacity (Kg) | 2.5 | 5 | 10 |
| Altura total (mm) | 440 | 510 | 625 |
| Total height (mm) | 440 | 510 | 625 |
| Peso cargado (Kg) | 3.5 | 6.6 | 12.3 |
| Weight loaded (Kg) | 3.5 | 6.6 | 12.3 |
| Altura recipiente (mm) | 275 | 342 | 455 |
| Recipient height (mm) | 275 | 342 | 455 |
| Diámetro recipiente (mm) | 127 | 152 | 184 |
| Recipient diameter (mm) | 127 | 152 | 184 |
| Espesor recipiente (mm) | 1.7 | 2.0 | 2.7 |
| Recipient thickness (mm) | 1.7 | 2.0 | 2.7 |
| Rosca de la boca | | M27x2 | |
| Mouth thread | | M27x2 | |
| Material del recipiente | | Aluminio | |
| Recipient material | | Aluminium | |
| Material de la válvula | | Bronce | |
| Valve material | | Bronze | |
| Presión de prueba (Mpa) | 3.5 | 3.5 | 3.5 |
| Test pressure (Mpa) | 3.5 | 3.5 | 3.5 |
| Presión de trabajo (Mpa) | 0.8 | 0.8 | 0.8 |
| Working pressure (Mpa) | 0.8 | 0.8 | 0.8 |
| Presión de rotura (Mpa) | 7.5-8 | 7.5-8 | 7.5-8 |
| Breaking pressure (Mpa) | 7.5-8 | 7.5-8 | 7.5-8 |
| Manga Øe x Øi (mm) | 18x9 | 18x9 | 18x9 |
| Hose width Øe x Øi (mm) | 18x9 | 18x9 | 18x9 |
| Largo de manga (mm) | 280 | 380 | 380 |
| Hose length (mm) | 280 | 380 | 380 |
| Tipo de soporte | | Colgar | |
| Bracket type | | To hang | |
| Tipo de agente extintor | | HCFC123 | |
| Extinguisher agent type | | HCFC123 | |
| Tiempo de descarga (seg) | 12 | 15 | 18 |
| Discharge time (second) | 12 | 15 | 18 |
| Pintura exterior | | Horno | |
| Outside painting | | Baked | |
| Norma IRAM | | 3504 | |
| IRAM rule | | 3504 | |
| Caño de pesca Øe x esp.(mm) | | 19 x 1.3 | |
| Siphon tube Øe x thickness(mm) | | 19 x 1.3 | |
| Alcance del chorro (m) | 6 | 6 | 6 |
| Discharge range (m) | 6 | 6 | 6 |
| Capacidad extintora | 1A-5B | 1A-10B | 2A-10B |
| Extinguishing capacity | 1A-5B | 1A-10B | 2A-10B |