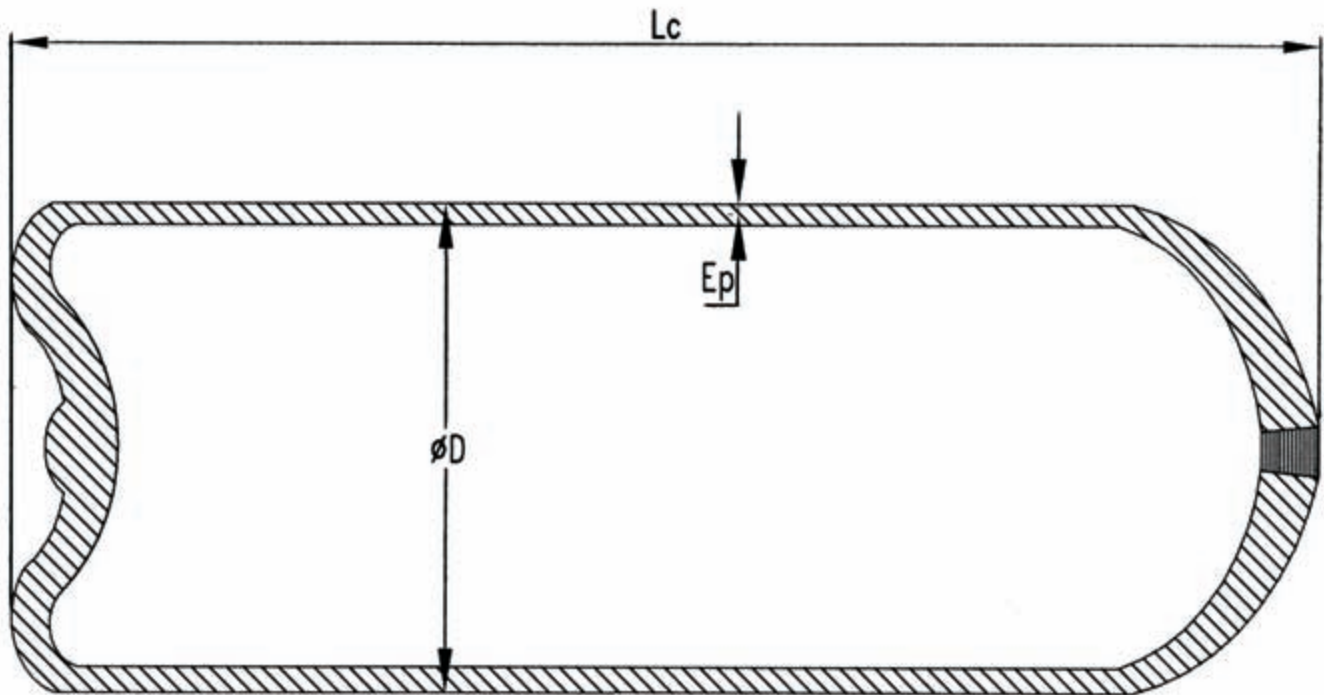




Cilindros de acero sin costura para GNC.

Seamless steel made cylinders of for CNG.



| | | | | | | | | |
|---|------|------|-----|-----|-----|------|------|------|
| Capacidad de carga (M^3) para 20Mpa Capacity of load (M^3) for 20Mpa | 1.75 | 3.75 | 7 | 7.5 | 8.5 | 9.5 | 12.5 | 15 |
| Capacidad de agua (Lts.) Water capacity (Lts.) | 7 | 15 | 28 | 30 | 34 | 38 | 50 | 60 |
| Altura (mm) L_c Height (mm) L_c | 400 | 850 | 770 | 820 | 910 | 1007 | 1300 | 1545 |
| Diámetro exterior (mm) D Outside diameter (mm) D | 168 | 168 | 244 | 244 | 244 | 244 | 244 | 244 |
| Espesor de pared (mm) E_p Wall thickness (mm) E_p | 4.7 | 4.7 | 8 | 8 | 8 | 8 | 8 | 8 |
| Peso (Kg) Weight (Kg) | 10 | 19 | 41 | 44 | 49 | 54 | 68 | 79 |
| Presión de prueba (Mpa) Test pressure (Mpa) | 30 | 30 | 30 | 30 | 30 | 30 | 30 | 30 |
| Presión de trabajo (Mpa) Working pressure (Mpa) | 20 | 20 | 20 | 20 | 20 | 20 | 20 | 20 |

Norma IRAM 2526
Material acero C-Mn o Cr-Mo

IRAM rule 2526
Steel material C-Mn o Cr-Mo